

**JustCatering.Com**

**Distributed By  
JustCatering.Com Ltd**

10 Jessop Avenue, Norwood Green, Middlesex, UB2 5UY, UK  
Tel/Fax: +44 (0)2088431712 Mobile: 07929291670  
E-mail: sales@justcatering.com Web: <http://www.justcatering.com>

# COMMERCIAL KITCHEN ANCILLARIES

FEBRUARY 2016



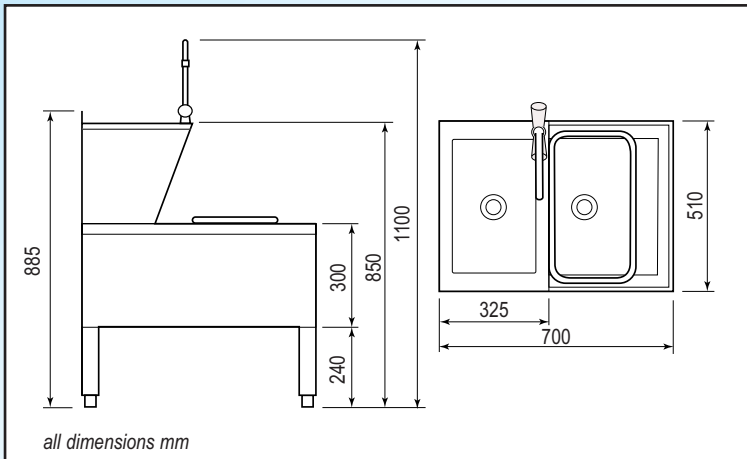
FS 622615

AT THE  OF CATERING EQUIPMENT SERVICE

### JANITORIAL SINK

Stainless steel construction. Incorporating cleaners sink with bucket grating and hand rinse basin. Fitted with a monoblock mixer tap that swivels for use with either the handwash sink or the cleaners sink below. Fitted with two 1 1/4" screwed basin waste connections and height adjustable feet.

Part No	Description
406004	STAINLESS STEEL JANITORIAL SINK COMPLETE



### HANDWASH SINKS

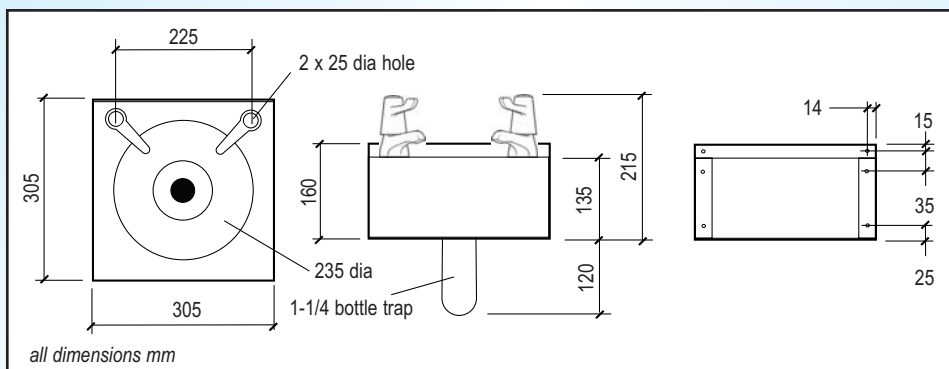
Stainless steel handwash sinks designed for installation in commercial catering kitchens. Complete sinks are supplied fitted with pair of WRAS approved lever action basin taps with 1/4 turn ceramic disc for rapid on/off action with 1/2" BSP hot/cold inlets and are covered by a two year parts warranty. WRAS Approval No for taps: 1107040. Also available with alternative taps.



Part No	Description
406002	<b>SMALL STAINLESS STEEL HANDWASH SINK COMPLETE</b> fitted with pair of lever action basin taps and supplied with 1 1/4" BSP bottle trap for push fit drain connections and metal unslotted basin waste for connection to other systems dimensions 305 x 305 x 135mm weight 2.8kg

*For alternative taps order basin below plus the required taps*

S10	SMALL STAINLESS STEEL HANDWASH SINK ONLY
	fitted with 1 1/4" BSP bottle trap - no taps supplied



## HANDWASH SINKS

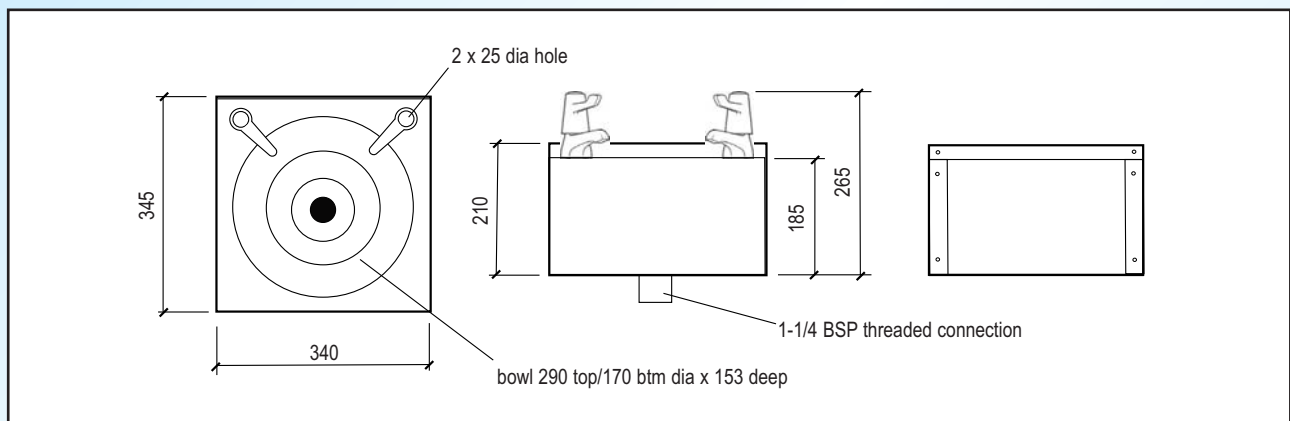
Stainless steel handwash sinks designed for installation in commercial catering kitchens. Complete sinks are supplied fitted with pair of WRAS approved lever action basin taps with 1/4 turn ceramic disc for rapid on/off action with 1/2" BSP hot/cold inlets and are covered by a two year parts warranty. WRAS Approval No for taps: 1107040. Also available with alternative taps.



Part No	Description
406005	<b>LARGE STAINLESS STEEL HANDWASH SINK COMPLETE</b> fitted with pair of lever action basin taps and supplied with 1 1/4" BSP metal unslotted threaded basin waste for drain connection. dimensions 340 x 345 x 265mm weight 2.92kg (excluding taps)

*For alternative taps order basin below plus the required taps*

406006	<b>LARGE STAINLESS STEEL HANDWASH SINK ONLY</b> fitted with 1 1/4" BSP metal unslotted threaded basin waste for drain connection - no taps supplied dimensions 340 x 345 x 185mm weight 2.92kg
--------	---



*alternative taps for hand wash sinks*

403102	<b>CROSS HEAD 1/2" BASIN TAPS</b>
403104	<b>DOME HEAD 1/2" BASIN TAPS</b>
AQUA130	<b>HANDS FREE ELECTRONIC TAP WITH INTEGRAL MIXER</b> battery operated with 6V battery supplied
AQUA131	<b>HANDS FREE ELECTRONIC TAP FOR PRE-MIXED WATER</b> battery operated with 6V battery supplied
409050	<b>THERMOSTATICALLY CONTROLLED MIXING VALVE TMV3</b> suitable for use with AQUA 131
201289	<b>UNSLOTTED BASIN WASTE</b> supplied with handwash basin PN 406002





## CONTRACT TAPS

A range of high quality chrome plated brass contract taps designed to meet the requirements of the most demanding commercial applications. All are WRAS approved, come with a two year parts warranty and are supplied with brass back nuts for the most secure installation.



**403101 CROSS HEAD 1/2" BIB TAPS**  
 chrome plated brass  
 non-rising spindle headworks  
 maximum working pressure 10.0 bar  
 maximum operating temperature 85°C  
 1/2" BSP inlets  
 two year parts warranty  
 WRAS Approval No: 1107040



Part No	Description
403101	CROSS HEAD 1/2" BIB TAPS
SP005-095X	PAIR OF REPLACEMENT CARTRIDGES

**403102 CROSS HEAD 1/2" BASIN TAPS**  
 chrome plated brass with brass backnut  
 non-rising spindle headworks  
 1/2" BSP inlets  
 two year parts warranty  
 WRAS Approval No: 0909072



Part No	Description
403102	CROSS HEAD 1/2" BASIN TAPS
SP005-181X	PAIR OF REPLACEMENT CARTRIDGES

**403103 CROSS HEAD 1/2" SINK TAPS**  
 chrome plated brass with brass backnut  
 non-rising spindle headworks  
 1/2" BSP inlets  
 two year parts warranty  
 WRAS Approval No: 0712108



Part No	Description
403103	CROSS HEAD 1/2" SINK TAPS
SP005-183X	PAIR OF REPLACEMENT CARTRIDGES

**403100 CROSS HEAD 1/2" MIXER TAP**  
 chrome plated brass with brass backnut  
 non-rising spindle headworks  
 1/2" BSP inlets  
 two year parts warranty  
 WRAS Approval No: 0902008



Part No	Description
403100	CROSS HEAD 1/2" MIXER TAP
SP005-187XBB	PAIR OF REPLACEMENT CARTRIDGES

**DOME HEAD 1/2" BASIN TAPS**

chrome plated brass with brass backnut  
 non-rising spindle headworks  
 1/2" BSP inlets  
 two year parts warranty  
 WRAS Approval No: 0909072



Part No	Description
403104	DOME HEAD 1/2" BASIN TAPS
V2	PAIR OF REPLACEMENT CARTRIDGES

**DOME HEAD 1/2" SINK TAPS**

chrome plated brass with brass backnut  
 non-rising spindle headworks  
 1/2" BSP inlets  
 two year parts warranty  
 WRAS Approval No: 0712108



Part No	Description
403105	DOME HEAD 1/2" SINK TAPS
V2	PAIR OF REPLACEMENT CARTRIDGES

**DOME HEAD 1/2" MIXER TAP**

chrome plated brass with brass backnut  
 non-rising spindle headworks  
 1/2" BSP inlets  
 two year parts warranty  
 WRAS Approval No: 1001040



Part No	Description
403106	DOME HEAD 1/2" MIXER TAP
V2	PAIR OF REPLACEMENT CARTRIDGES

**LEVER ACTION 1/2" BASIN TAPS**

chrome plated brass with brass backnut  
 1/4 turn ceramic disc for rapid on/off action  
 1/2" BSP inlets  
 two year parts warranty  
 WRAS Approval No: 0912085



Part No	Description
403110	LEVER ACTION 1/2" BASIN TAPS - buy 1 pair
403110-5	LEVER ACTION 1/2" BASIN TAPS - buy 5+
CDV001	PAIR OF REPLACEMENT CARTRIDGES

**LEVER ACTION 1/2" SINK TAPS**

chrome plated brass with brass backnut  
 1/4 turn ceramic disc for rapid on/off action  
 1/2" BSP inlets  
 two year parts warranty  
 WRAS Approval No: 0902016



Part No	Description
403111	LEVER ACTION 1/2" SINK TAPS - buy 1 pair
403111-5	LEVER ACTION 1/2" SINK TAPS - buy 5+
CDV001	PAIR OF REPLACEMENT CARTRIDGES

**LEVER ACTION 1/2" MIXER TAP**

chrome plated brass with brass backnut  
 1/4 turn ceramic disc for rapid on/off action  
 1/2" BSP inlets  
 two year parts warranty  
 WRAS Approval No: 0902012

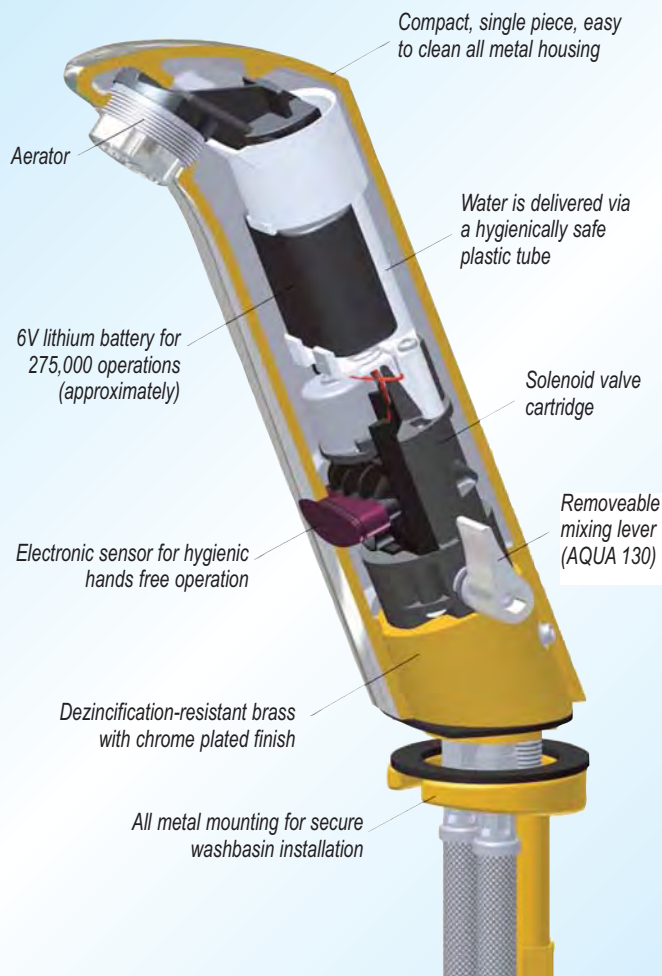
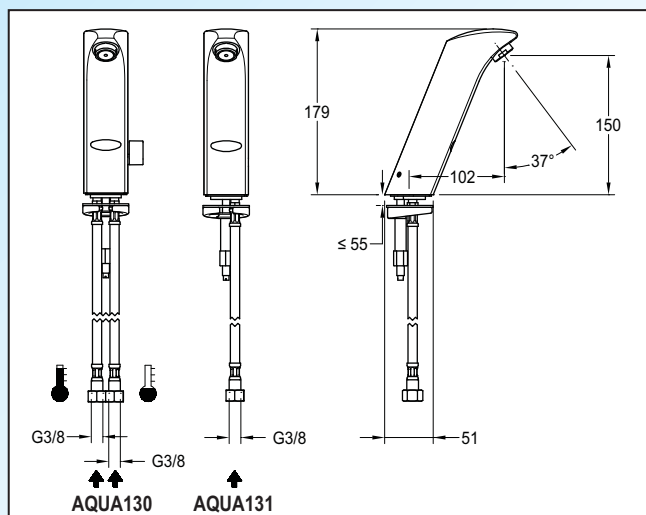


Part No	Description
403115	LEVER ACTION 1/2" MIXER TAP - buy 1 pair
403115-5	LEVER ACTION 1/2" MIXER TAP - buy 5+
CDV001	PAIR OF REPLACEMENT CARTRIDGES

### PROTONIC-S ELECTRONIC TAPS

Non-touch electronically controlled washbasin tap reduces the consumption of water and energy by up to 50 % compared with conventional taps. Thanks to the fully automatic mode of operation, water flows only when it is actually needed. The non-touch technique ensures absolutely hygienic hand washing with no need to touch the tap. Users simply place their hands in the vicinity of the clearly visible sensor field.

- Choice of models for premixed water supply or with integral mixer
- Mains electricity not required - 6v battery (CRP2) supplied
- Approximately 275,000 operations on one battery
- Brass body with chrome plated finish
- Integrated flow rate regulator and aerator fitted
- Minimum pressure 1.00 bar
- Flow rate at 3 bar pressure 0.10 litre/second
- Default flow time 60 seconds
- Supplied with a stainless steel braided 'PE' lined hose assembly incorporating a 3/8" BSP end connector and a single check valve cartridge suitable for backflow protection against Fluid Category 2
- Weight 2.33g



Part No	Description
AQUA130	<b>ELECTRONIC MIXER TAP FOR HOT/COLD WATER SUPPLY</b> Twin hot/cold water feed with integral mixing valve and aerator. Temperature selection lever can be removed to leave water at pre-set mixing value and prevent user misuse. WRAS approved product.
AQUA131	<b>ELECTRONIC TAP FOR PRE-MIXED WATER SUPPLY</b> Single connection for pre-mixed water supply. WRAS approved product.
409050	<b>THERMOSTATICALLY CONTROLLED MIXING VALVE TMV3</b> Complies with Part G and NHS Estates Model Engineering Specification D08. Provides stable mixed water temperature with unique temperature mixing tool built into the cap. Suitable for use with AQUA131 electronic tap. WRAS approved product.

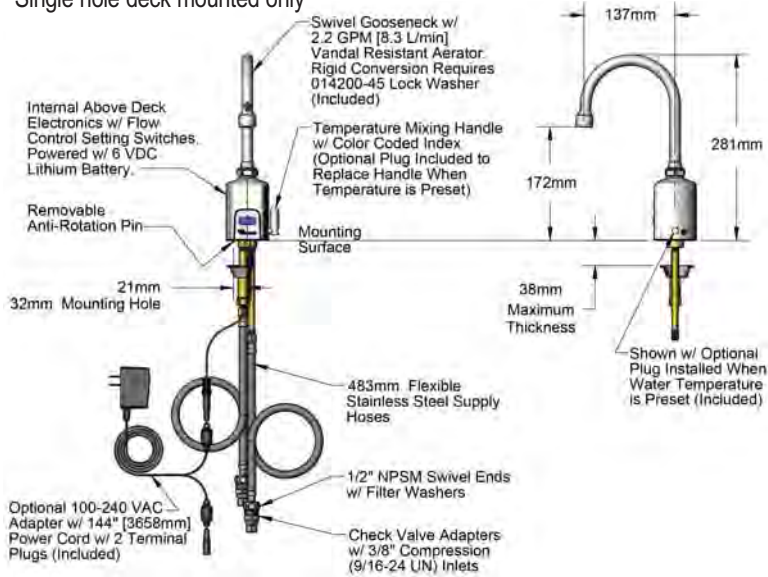






### EC-3130 ELECTRONIC TAP

Electronic faucet with swivel gooseneck spout and above deck mixer valve, electronic controls and temperature control with optional side control lever (can be removed and plugged at pre-set temperature). AC/DC control module supplied (100-240VAC mains supply or 6V lithium battery). Optional EC-HYDROGEN hydro generator uses the water flow to power the system. Single hole deck mounted only

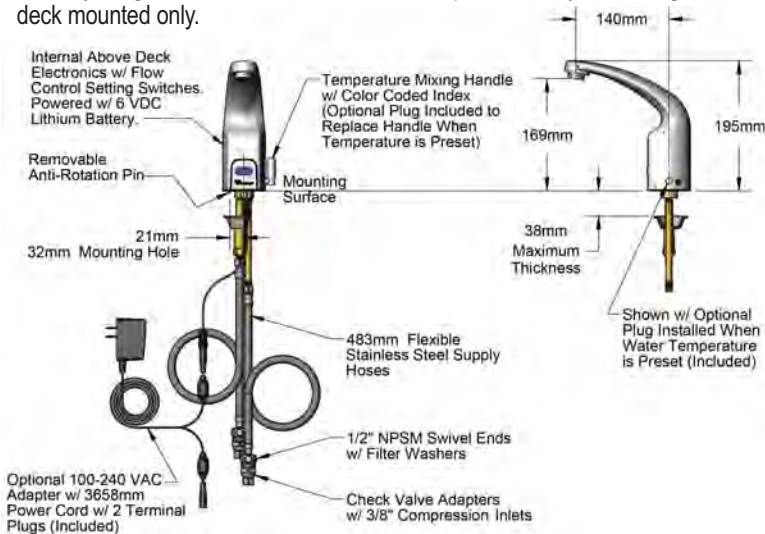


EC-3130

Part No	Description
EC-3130	DECK MOUNT CHEKPOINT GOOSENECK FAUCET
EC-3130-HG	DECK MOUNT CHEKPOINT GOOSENECK FAUCET WITH HYDRO GENERATOR

### EC-3132 ELECTRONIC TAP

Electronic faucet with cast spout and above deck mixer valve, electronic controls and temperature control with optional side control lever (can be removed and plugged at pre-set temperature). AC/DC control module supplied (100-240VAC mains supply or 6V lithium battery). Optional EC-HYDROGEN hydro generator uses the water flow to power the system. Single hole deck mounted only.

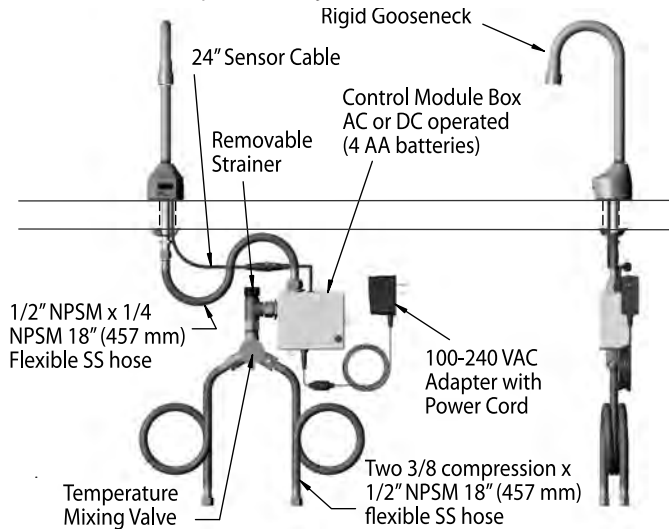


EC-3132

Part No	Description
UK-3132	SINGLE DECK CHEKPOINT CAST SPOUT FAUCET
UK-3132-HG	SINGLE DECK CHEKPOINT CAST SPOUT FAUCET WITH HYDRO GENERATOR

**UK-3100 and UK-3101 ELECTRONIC TAPS**

Electronic faucet with with rigid gooseneck spout and below deck mixer valve/electronic control box. AC/DC control module supplied (100-240VAC mains supply or 4 AA batteries). Optional EC-HYDROGEN hydro generator uses the water flow to power the system. Choice of deck or wall mounted.



**UK-3100**

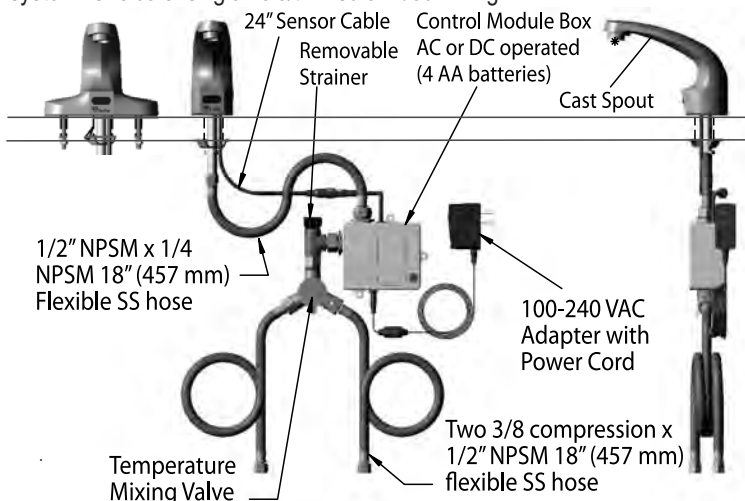


**UK-3101**

Part No	Description
<b>UK-3100</b>	<b>DECK MOUNT CHEKPOINT GOOSENECK FAUCET</b>
<b>UK-3100-HG</b>	<b>DECK MOUNT CHEKPOINT GOOSENECK FAUCET WITH HYDRO GENERATOR</b>
<b>UK-3101</b>	<b>WALL MOUNT CHEKPOINT GOOSENECK FAUCET</b>
<b>UK-3101-HG</b>	<b>WALL MOUNT CHEKPOINT GOOSENECK FAUCET WITH HYDRO GENERATOR</b>

**UK-3102 and UK-3103 ELECTRONIC TAPS**

Below deck mixer valve and electronic control box with cast spout. AC/DC control module supplied (100-240VAC mains supply or 4 AA batteries). Optional EC-HYDROGEN hydro generator uses the water flow to power the system. Choice of single hole/twin screw deck fixing.



**UK-3102**



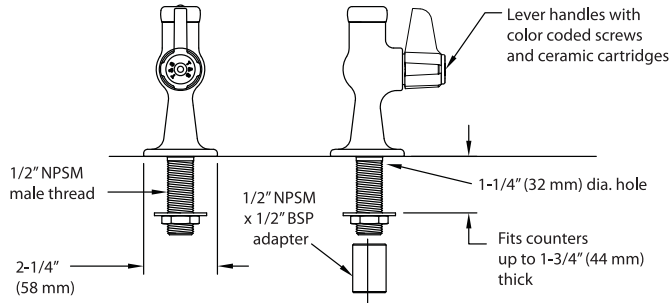
**UK-3103**

Part No	Description
<b>UK-3102</b>	<b>SINGLE DECK CHEKPOINT CAST SPOUT FAUCET</b>
<b>UK-3102-HG</b>	<b>SINGLE DECK CHEKPOINT CAST SPOUT FAUCET WITH HYDRO GENERATOR</b>
<b>UK-3103</b>	<b>2 SCREW DECK CHEKPOINT CAST SPOUT FAUCET</b>
<b>UK-3103-HG</b>	<b>2 SCREW DECK CHEKPOINT CAST SPOUT FAUCET WITH HYDRO GENERATOR</b>



**UK-1DF00, UK-1DF06, UK-1DF12 and UK-1DF18**

Single feed deck mounted faucet for hot or cold water. 1/4 turn ceramic disc headwork. Aerator incorporated in spout which comes in a choice of sizes.



Part No	Description
UK-1DF00	SINGLE FAUCET BODY (NO SPOUT SUPPLIED)
UK-1DF06	SINGLE FAUCET BODY WITH 152mm SPOUT
UK-1DF12	SINGLE FAUCET BODY WITH 305mm SPOUT
UK-1DF18	SINGLE FAUCET BODY WITH 457mm SPOUT

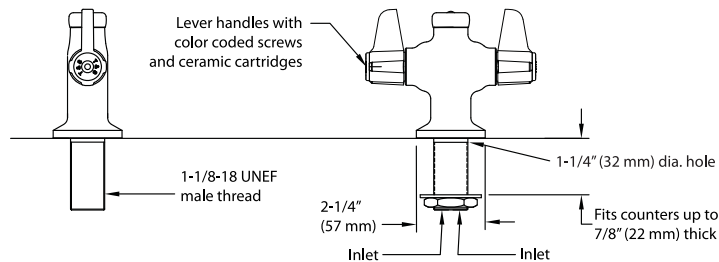


UK-1DF12



**UK-2DF00, UK-2DF06, UK-2DF12 and UK-2DF18**

Mono deck mounted faucet for hot and cold water feeds. 1/4 turn ceramic disc headwork. Aerator incorporated in spout which comes in a choice of sizes.



Part No	Description
UK-2DF00	MONO FAUCET BODY (NO SPOUT SUPPLIED)
UK-2DF06	MONO FAUCET BODY WITH 152mm SPOUT
UK-2DF12	MONO FAUCET BODY WITH 305mm SPOUT
UK-2DF18	MONO FAUCET BODY WITH 457mm SPOUT

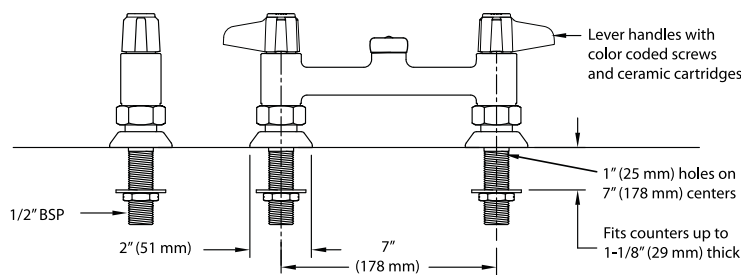


UK-2DF12



**UK-7DF00, UK-7DF06, UK-7DF12 and UK-7DF18**

Twin deck mounted faucet for hot and cold water feeds. 1/4 turn ceramic disc headwork. Aerator incorporated in spout which comes in a choice of sizes. Both inlets are fitted with single check valve cartridges suitable for backflow protection against Fluid Category 2.



Part No	Description
UK-7DF00	TWIN FAUCET BODY (NO SPOUT SUPPLIED)
UK-7DF06	TWIN FAUCET BODY WITH 152mm SPOUT
UK-7DF12	TWIN FAUCET BODY WITH 305mm SPOUT
UK-7DF18	TWIN FAUCET BODY WITH 457mm SPOUT

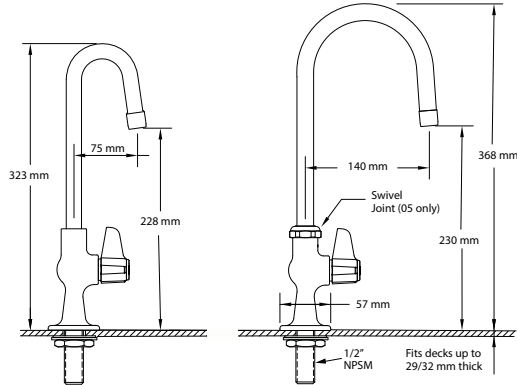


UK-7DF12



**5F-1SLX03 and 5F-1SLX05**

Single feed deck mounted faucet for hot or cold water. 1/4 turn ceramic disc headwork. Gooseneck spout available as fixed/swivel in 2 sizes.



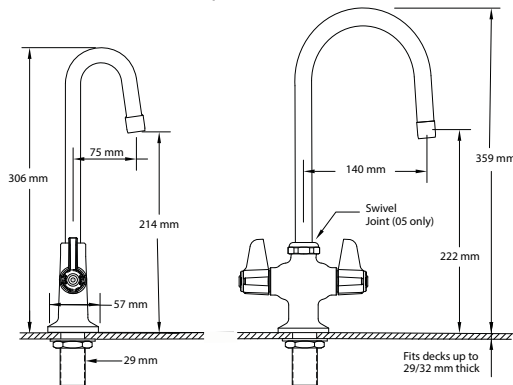
Part No	Description
5F-1SLX03	SINGLE WITH 75mm FIXED GOOSENECK SPOUT
5F-1SLX05	SINGLE WITH 140mm SWIVEL GOOSENECK SPOUT



**5F-1SLX03**

**5F-2SLX03 and 5F-2SLX05**

Mono mixer deck mounted faucet for hot and cold water. 1/4 turn ceramic disc headwork. Gooseneck spout available as fixed/swivel in 2 sizes.



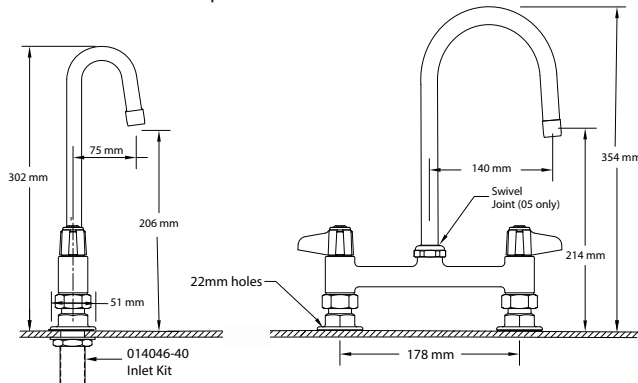
Part No	Description
5F-2SLX03	MONO WITH 75MM FIXED GOOSENECK SPOUT
5F-2SLX05	MONO WITH 140MM SWIVEL GOOSENECK SPOUT



**5F-2SLX03**

**5F-7DLX03 and 5F-7DLX05**

Twin deck mounted faucet for hot and cold water feeds. 1/4 turn ceramic disc headwork. Gooseneck spout available as fixed/swivel in 2 sizes..



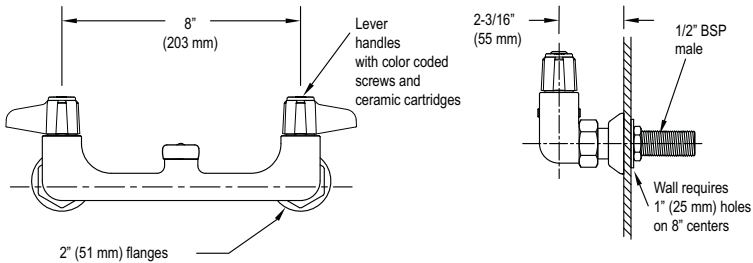
Part No	Description
5F-7DLX03	TWIN WITH 75MM FIXED GOOSENECK SPOUT
5F-7DLX05	TWIN WITH 140MM SWIVEL GOOSENECK SPOUT



**5F-7DLX05**

**UK-8WF00-EE, 8WF06-EE, 8WF12-EE, 8WF18-EE**

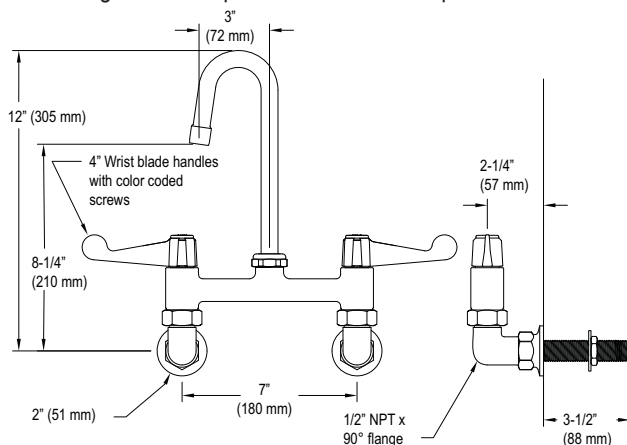
Twin wall mounted faucet for hot and cold water. 1/4 turn ceramic disc headwork. Aerator incorporated in spout which comes in a choice of sizes.


**UK-8WF12-EE**

Part No	Description
UK-8WF00-EE	TWIN FAUCET BODY (NO SPOUT SUPPLIED)
UK-8WF06-EE	TWIN FAUCET BODY WITH 152mm SPOUT
UK-8WF12-EE	TWIN FAUCET BODY WITH 305mm SPOUT
UK-8WF18-EE	TWIN FAUCET BODY WITH 457mm SPOUT

**UK-7DF03-WW-WH4**

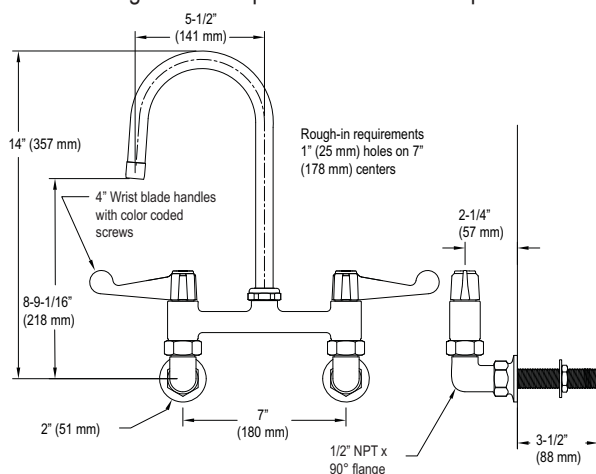
Twin wall mounted faucet for hot and cold water. 1/4 turn ceramic disc headwork. 75mm gooseneck spout with aerator incorporated.


**UK-7DF05-WW-WH4**

Part No	Description
UK-7DF03-WW-WH4	TWIN WITH 75mm GOOSENECK SPOUT

**UK-7DF05-WW-WH4**

Twin wall mounted faucet for hot and cold water. 1/4 turn ceramic disc headwork. 141mm gooseneck spout with aerator incorporated.



Part No	Description
UK-7DF05-WW-WH4	TWIN WITH 141MM GOOSENECK SPOUT





**B-1200 Glass Filler**

Wall mounted glass filler, with adjustable slip flange, blue push back arm, hex key adjustable flow outlet and instantaneous shut-off.



**B-1200**

Part No	Description
<b>B-1200</b>	<b>WALL MOUNT PUSH BACK SINGLE GLASS FILLER</b>

**B-1210 Glass Filler**

Countertop mounted pedestal glass filler, with blue push back arm, hex key adjustable flow outlet and instantaneous shut-off.

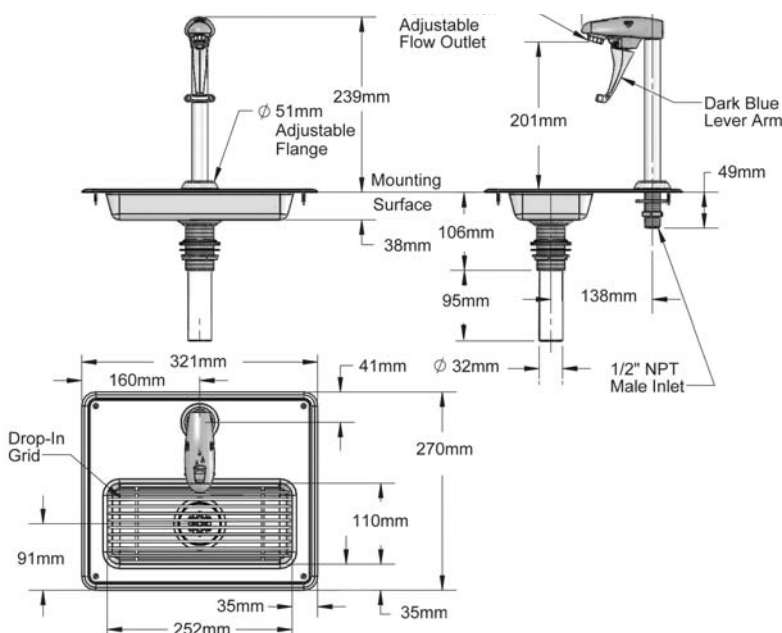


**B-1210**

Part No	Description
<b>B-1210</b>	<b>PEDESTAL PUSH BACK SINGLE GLASS FILLER</b>

**B-1230 Water Station**

Pedestal glass filler fitted to an 18 gauge stainless steel drip pan with beaded edges. Filler has blue push back arm, hex key adjustable flow outlet and instantaneous shut-off. Cut-out size is 10.5" x 5". Supplied with mastic and stainless steel screws for mounting.



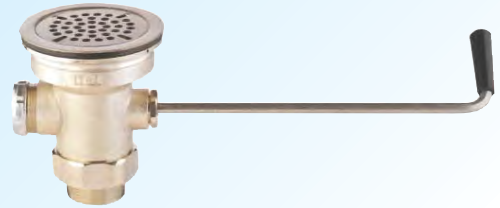
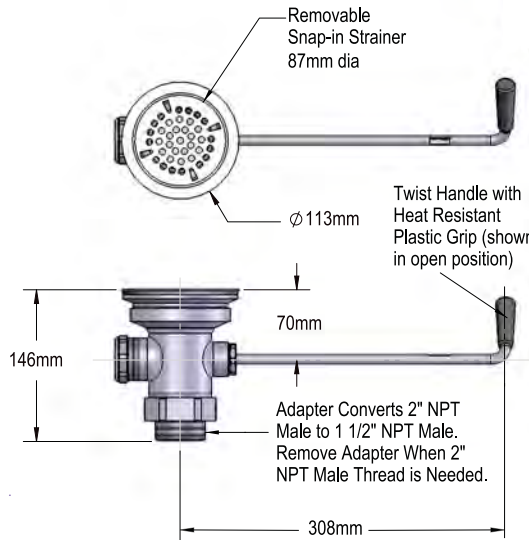
**B-1230**

Part No	Description
<b>B-1230</b>	<b>GLASS FILLER WATER STATION</b>

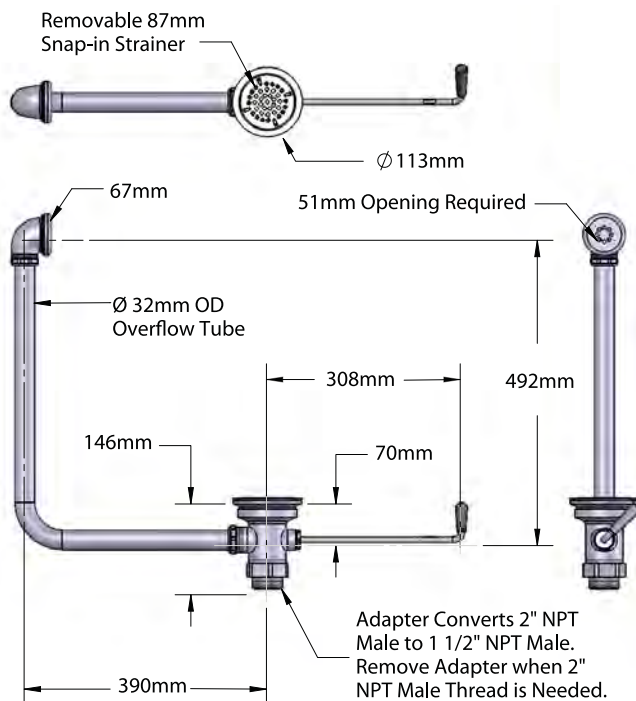


**B-3950**

Twist action waste valve with overflow outlet and cap for 3 1/2" (88mm) sink opening. Valves ending -01 are supplied complete with overflow assembly. Models are available with a conversion Adaptor that reduces a 2" drain outlet to a 1 1/2" (38mm) outlet.



**B-3950-01**



Item	Part No	Description
1	010389-45	O-Ring, Plunger
2	010390-45	Ferrule, Coupling Nut
3	010391-45	Nut, Coupling For Twist Drain
4	010382-45	Gasket for 3 1/2 Face Flange
5	010384-45	3 1/2 Face Flange
6	010386-45	3 1/2 Snap-in Strainer
7	010388-45	Plunger, Twist Drain
8	010393-45	Handle Assembly
9	011355-45	Tube, Overflow Elbow
10	011356-45	Head Asm, Overflow Tube
11	B-3945	Adaptor, 2 NPT x 1 1/2" NPT "

Part No	Description
<b>B-3950</b>	<b>TWIST ACTION DRAIN FITTING</b>
<b>B-3950-BSP</b>	<b>TWIST ACTION DRAIN FITTING WITH BSP ADAPTOR</b>
<b>B-3950-01</b>	<b>TWIST ACTION DRAIN FITTING WITH OVERFLOW</b>
<b>B-3950-01-BSP</b>	<b>TWIST ACTION DRAIN FITTING WITH OVERFLOW AND BSP ADAPTOR</b>



**RELIABILITY BUILT IN**

**T&S EasyInstall™ Pre-Rinse Units**

**JustCatering.Com Ltd**



**RELIABILITY BUILT IN**

T&S Brass was founded in 1947 with a commitment to quality and innovation. The company introduced the industry's first pre-rinse spray unit and ever since that time has set the standard for new products designed to solve real world problems while cutting down on installation time.

T&S products are manufactured to the highest standards in the industry and are certified by a wide variety of national and international organisations. The flexible hose is manufactured in Tygothane C-544-A-I.B. which meets the FDA criteria for food contact. T&S is committed to the safety and reliability of its products and test every single product they manufacture.

JustCatering.Com Ltd maintains an extensive stock of T&S products available for next day delivery throughout the UK when ordered before 5.00pm.

### **WATER SAVING LOW FLOW**

T&S understands how vital water conservation is today and leads the way in the foodservice industry with an extensive line of water and energy saving products that meet and exceed conservation requirements while not compromising performance.

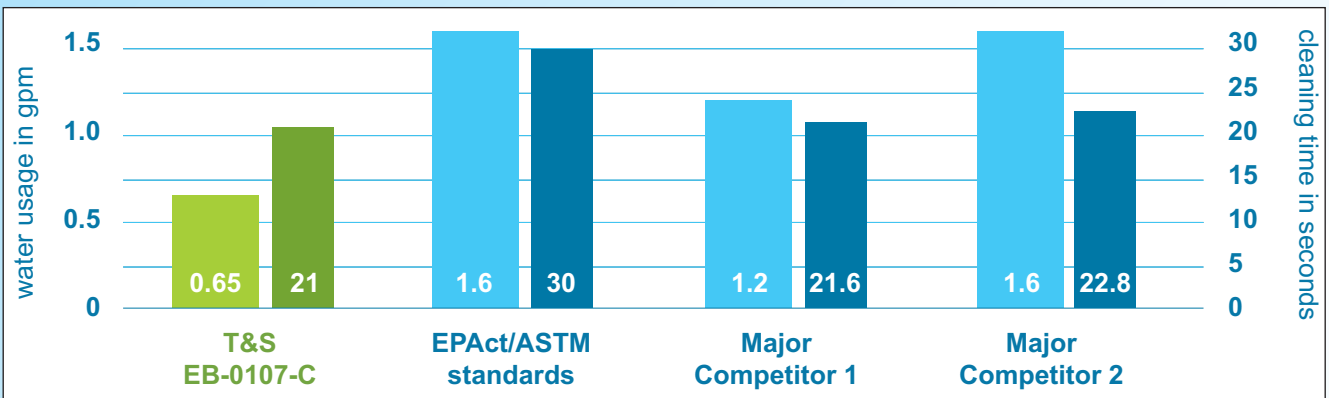
All of the T&S pre-rinse spray units can be fitted with a low flow spray valve that uses just 2.46 litres of water per minute to provide the same effective rinsing action of conventional spray heads that use twice as much water. This can save your customer up to 500,000 litres of water a year.

### **WRAS APPROVED**

Fitted with a spring retainer approved by WRAS to avoid the need for separate restrainers to prevent the risk of backflow of contaminated water into the mains supply. WRAS Approved Products No 1502069, 1502070, 1502071, 1502072 and 1502073.







T&S low-flow spray valves (shown in green) exceed the USA federal standards in both water usage and cleaning time. You can save as much as 500,000 litres\* of water per year!

### T&S - Water Saving Innovator



In 1947 T&S introduced the first pre-rinse unit to the foodservice industry. Four decades later the company developed the first low-flow unit designed to save water and energy. T&S units were the first to be endorsed by the Green Restaurant Association of America. Today, T&S is taking pre-rinse innovation to the next level with the EB-0107-C spray valve. T&S have kept all of the superior construction that they have become legendary for, but the unit uses much less water than ever before while still cleaning just as fast.

### High-performing Low-Flow

- A pre-rinse valve designed to beat the strictest of standards while still delivering powerful performance and a low, low flow rate of 2.46 litres per minute at 4 bar water pressure.
- Exceeds ASTM tomato paste test cleaning standard by FSTC.
- Fashioned from top-quality materials.
- Save up to 500,000 litres\* of water every year compared to spray valves rated at 6 litres per minute.
- Universal fitting means it can replace the standard spray valve on many existing pre-rinse spray units.

\*Assumptions: 7 hours/day, 365 days/year = 153,300 minutes

## Save Water ... Save Time ... Save Money

T&S recognise that the last thing an installation engineer needs to deal with is a long, tedious installation of a pre-spray unit. That is why they created the Easyinstall™ "Pop-and-Lock" system, designed to cut installation time by 66%!

### Pre-Assembled Parts

The Pre-Rinse Units are partially pre-assembled and supplied in just three parts, making installation simple and fast. Just screw the flexible tube/spray gun assembly to the riser tube and "Pop-and-Lock" to the base faucet. If a basin filler is required the spout is also added using the "Pop-and-Lock" system.

### Anti-Rotation Washer System

Seated inside the faucet, the washer prevents the riser from rotating. Once installed, your Pre-Rinse Unit's riser will stay in place.

### Sturdier Connection

The bushing's deep seat inside the faucet makes the connection stronger and sturdier. The variable rate spring provides added strength and stability. The redesigned wall bracket with set screws providing extra "biting" power, staying secured.

### Three-Year Warranty

T&S Easyinstall™ Pre-Rinse Units come with a full 3-year parts only warranty





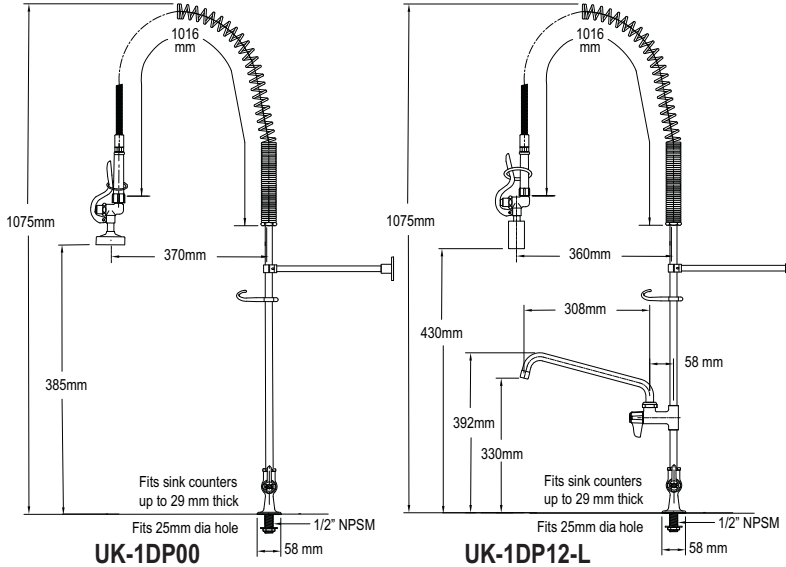
**RELIABILITY BUILT IN**

**T&S EasyInstall™ Pre-Rinse Units**

**JustCatering.Com Ltd**

**UK-1DP00 and UK-1DP12**

Easyinstall™ Pre-Rinse Unit, single hole deck mount for single water feed.  
With 12" (305mm) wall bracket. With or without 6"12" (152/305mm) faucet.

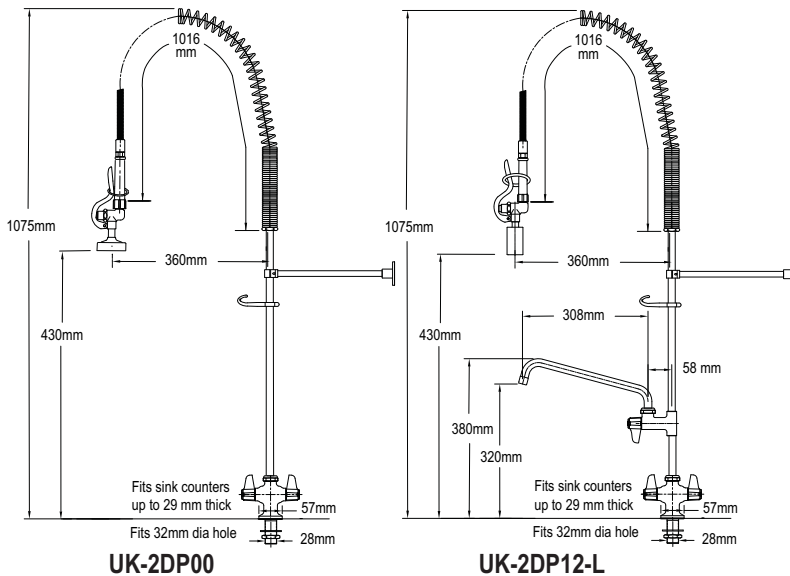


Part No	Description
UK-1DP00	SINGLE/STANDARD SPRAY HEAD
UK-1DP00-L	SINGLE/LOW FLOW SPRAY HEAD
UK-1DP06	SINGLE/STANDARD SPRAY HEAD/6" FAUCET
UK-1DP06-L	SINGLE/LOW FLOW SPRAY HEAD/6" FAUCET
UK-1DP12	SINGLE/STANDARD SPRAY HEAD/12" FAUCET
UK-1DP12-L	SINGLE/LOW FLOW SPRAY HEAD/12" FAUCET



**UK-2DP00 and UK-2DP12**

Easyinstall™ Pre-Rinse Unit, single hole deck mount for hot/cold water feed.  
With 12" (305mm) wall bracket. With or without 6"12" (152/305mm) faucet.



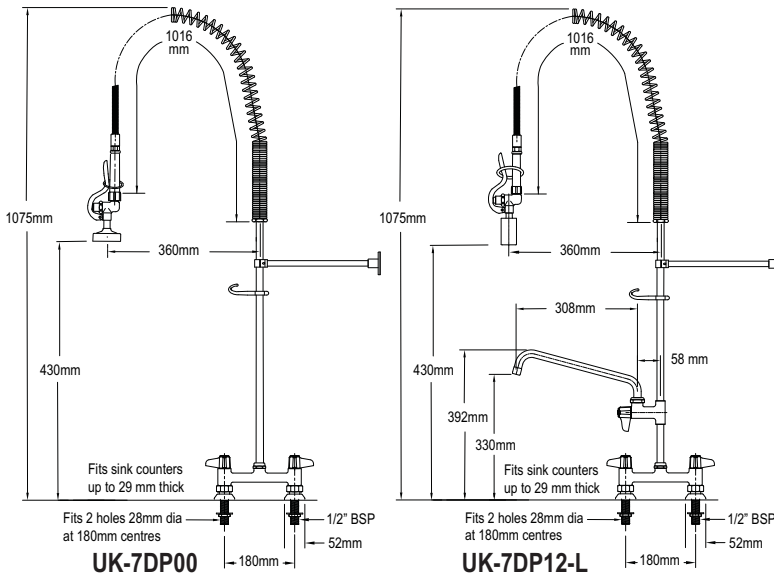
Part No	Description
UK-2DP00COMP	MONO/STANDARD SPRAY HEAD
UK-2DP00-LCOMP	MONO/LOW FLOW SPRAY HEAD
UK-2DP06COMP	MONO/STANDARD SPRAY HEAD/6" FAUCET
UK-2DP06-LCOMP	MONO/LOW FLOW SPRAY HEAD/6" FAUCET
UK-2DP12COMP	MONO/STANDARD SPRAY HEAD/12" FAUCET
UK-2DP12-LCOMP	MONO/LOW FLOW SPRAY HEAD/12" FAUCET





**UK-7DP00 and UK-7DP12**

Easyinstall™ Pre-Rinse Unit, twin hole deck mount for hot/cold water feed. With 12" (305mm) wall bracket. With or without 6"/12" (152/305mm) faucet.

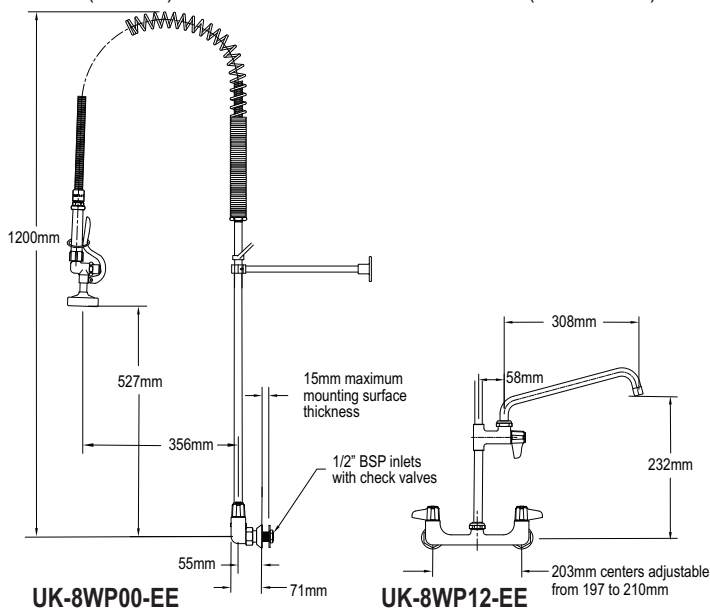


Part No	Description
UK-7DP00	TWIN/STANDARD SPRAY HEAD
UK-7DP00-L	TWIN/LOW FLOW SPRAY HEAD
UK-7DP06	TWIN/STANDARD SPRAY HEAD/6" FAUCET
UK-7DP06-L	TWIN/LOW FLOW SPRAY HEAD/6" FAUCET
UK-7DP12	TWIN/STANDARD SPRAY HEAD/12" FAUCET
UK-7DP12-L	TWIN/LOW FLOW SPRAY HEAD/12" FAUCET



**UK-8WP00-EE and UK-8WP12-EE**

Easyinstall™ Pre-Rinse Unit, wall mounted for hot/cold water feed. With 12" (305mm) wall bracket. With or without 6"/12" (152/305mm) faucet.



Part No	Description
UK-8WP00-EE	WALL TWIN/STANDARD SPRAY HEAD
UK-8WP00-EEL	WALL TWIN/LOW FLOW SPRAY HEAD
UK-8WP06-EE	WALL TWIN/STANDARD SPRAY HEAD/6" FAUCET
UK-8WP06-EEL	WALL TWIN/LOW FLOW SPRAY HEAD/6" FAUCET
UK-8WP12-EE	WALL TWIN/STANDARD SPRAY HEAD/12" FAUCET
UK-8WP12-EEL	WALL TWIN/LOW FLOW SPRAY HEAD/12" FAUCET



**UK-8WP00-EE**





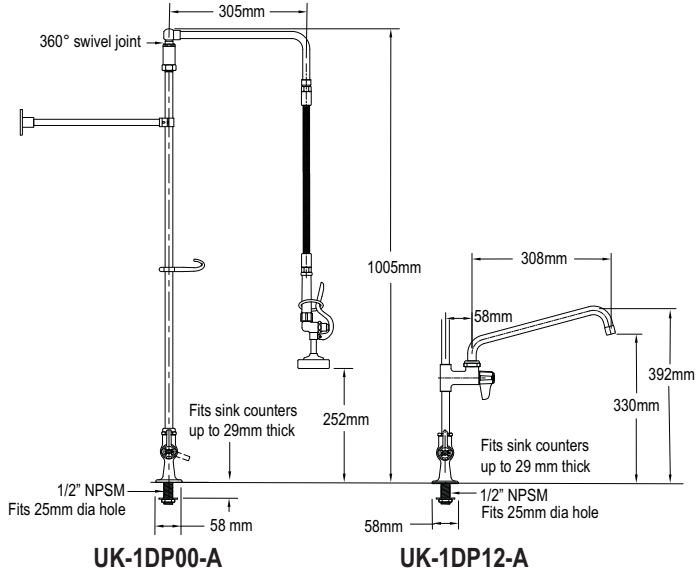
**RELIABILITY BUILT IN**

**T&S EasyInstall™ Pre-Rinse Units**

**JustCatering.Com Ltd**

**UK-1DP00-A and UK-1DP12-A**

Easyinstall™ Pre-Rinse Unit, single hole deck mount for single water feed. With 12" (305mm) wall bracket. With or without 6"/12" (152/305mm) faucet.



Part No	Description
UK-1DP00-A	SINGLE/STANDARD SPRAY HEAD
UK-1DP00-LA	SINGLE/LOW FLOW SPRAY HEAD
UK-1DP06-A	SINGLE/STANDARD SPRAY HEAD/6" FAUCET
UK-1DP06-LA	SINGLE/LOW FLOW SPRAY HEAD/6" FAUCET
UK-1DP12-A	SINGLE/STANDARD SPRAY HEAD/12" FAUCET
UK-1DP12-LA	SINGLE/LOW FLOW SPRAY HEAD/12" FAUCET

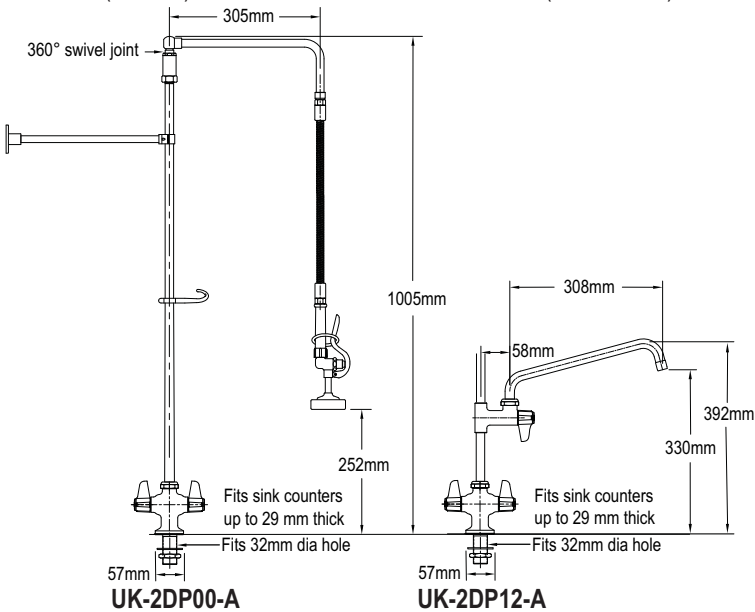


**UK-1DP00-A**



**UK-2DP00-A and UK-2DP12-A**

Easyinstall™ Pre-Rinse Unit, single hole deck mount for hot/cold water feed. With 12" (305mm) wall bracket. With or without 6"/12" (152/305mm) faucet.



Part No	Description
UK-2DP00-A	MONO TWIN FEED/STANDARD SPRAY HEAD
UK-2DP00-LA	MONO TWIN FEED/LOW FLOW SPRAY HEAD
UK-2DP06-A	MONO/STANDARD SPRAY HEAD/6" FAUCET
UK-2DP06-LA	MONO/LOW FLOW SPRAY HEAD/6" FAUCET
UK-2DP12-A	MONO/STANDARD SPRAY HEAD/12" FAUCET



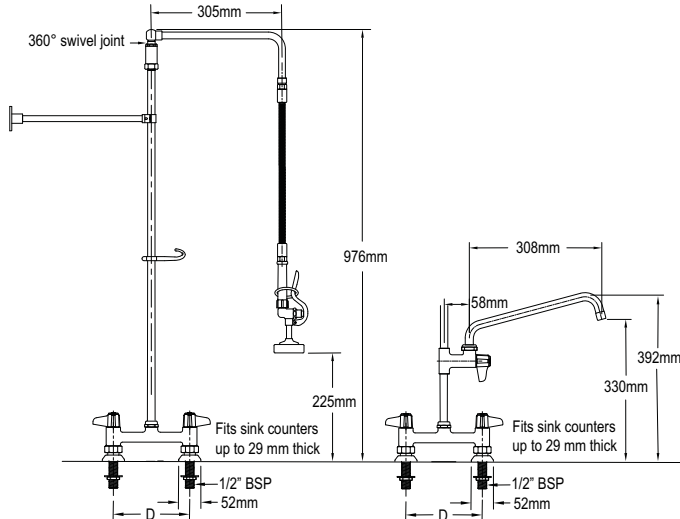
**UK-2DP00-A**





**UK-6DP00-A, UK-7DP00-A and UK-7DP12-A**

Easyinstall™ Pre-Rinse Unit, twin hole deck mount for hot/cold water feed. With 12" (305mm) wall bracket. With or without 6"/12" (152/305mm) faucet.



**UK-6DP00-A/UK-7DP00-A**

**UK-7DP12-A**

Part No	Description
UK-6DP00-A	6" TWIN HOLE/STANDARD SPRAY HEAD
UK-7DP00-A	7" TWIN HOLE/STANDARD SPRAY HEAD
UK-7DP00-LA	7" TWIN HOLE/LOW FLOW SPRAY HEAD
UK-7DP06-A	7" TWIN HOLE/STANDARD SPRAY HEAD/6" FAUCET
UK-7DP06-LA	7" TWIN HOLE/LOW FLOW SPRAY HEAD/6" FAUCET
UK-7DP12-A	7" TWIN HOLE/STANDARD SPRAY HEAD/12" FAUCET
UK-7DP12-LA	7" TWIN HOLE/LOW FLOW SPRAY HEAD/12" FAUCET

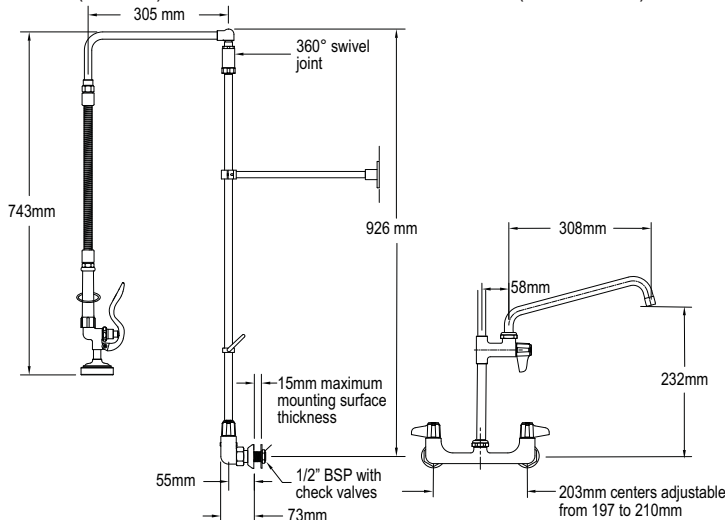


**UK-7DP00-A**



**UK-8WP00-A-EE and UK-8WP12-A-EE**

Easyinstall™ Pre-Rinse Unit, wall mounted for hot/cold water feed. With 12" (305mm) wall bracket. With or without 6"/12" (152/305mm) faucet.



**UK-8WP00-A-EE**

**UK-8WP12-A-EE**

Part No	Description
UK-8WP00-A-EE	WALL TWIN/STANDARD SPRAY HEAD
UK-8WP00-A-EEL	WALL TWIN/LOW FLOW SPRAY HEAD
UK-8WP06-A-EE	WALL TWIN/STANDARD SPRAY HEAD/6" FAUCET
UK-8WP06-A-EEL	WALL TWIN/LOW FLOW SPRAY HEAD/6" FAUCET
UK-8WP12-A-EE	WALL TWIN/STANDARD SPRAY HEAD/12" FAUCET
UK-8WP12-A-EEL	WALL TWIN/LOW FLOW SPRAY HEAD/12" FAUCET



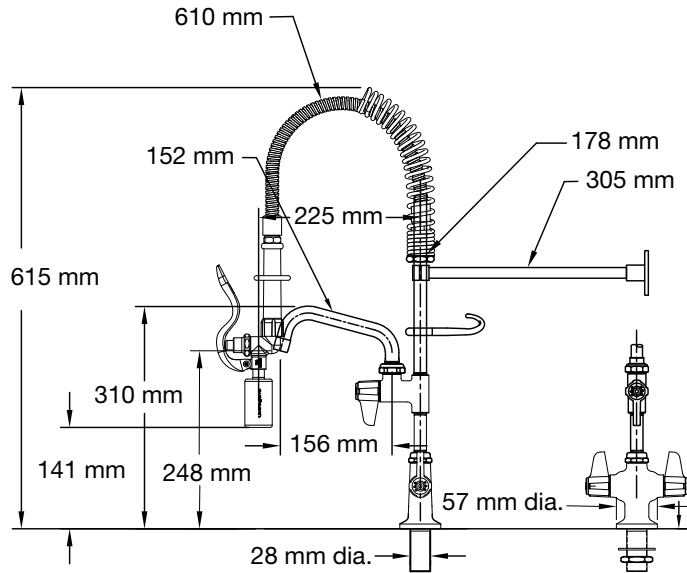
**UK-8WP00-A-EE**





**EMPU-2DLN-06**

Mini Easyinstall™ Pre-Rinse Unit, low flow spray valve, single hole deck mount for hot/cold water feed. With 12" (305mm) wall bracket and 6" (152mm) faucet. Standard spray head available on request.



**EMPU-2DLN-06**

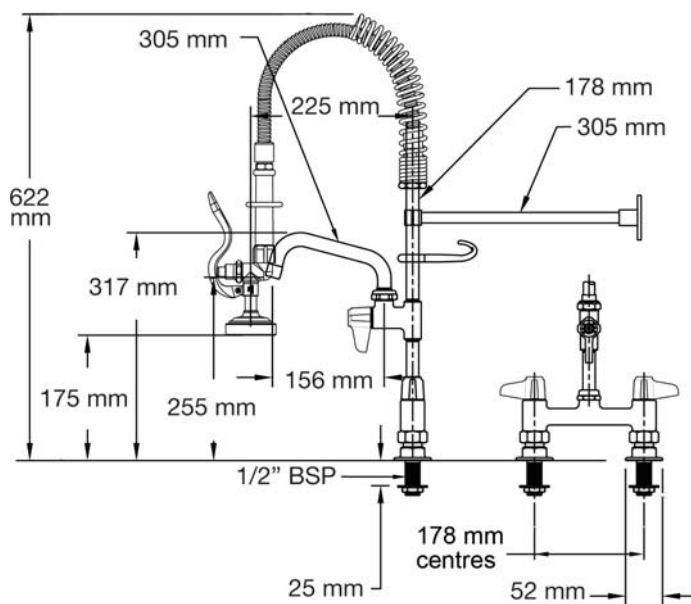
Part No	Description
EMPU-2DLN-06	MINI MONO/LOW FLOW SPRAY HEAD/6" FAUCET



**EMPU-2DLN-06**

**EMPU-7DLN-06**

Mini Easyinstall™ Pre-Rinse Unit, standard spray valve, twin hole deck mount for hot/cold water feed. With 12" (305mm) wall bracket and 6" (152mm) faucet. Low flow spray head available on request.



**EMPU-7DLN-06**

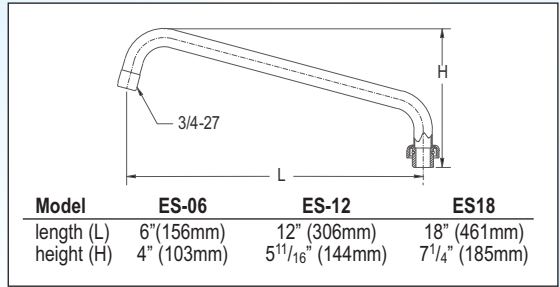
Part No	Description
EMPU-7DLN-06	MINI MONO/STANDARD SPRAY HEAD/6" FAUCET



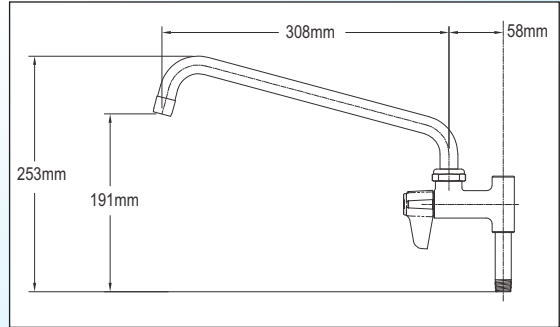
**EMPU-7DLN-06**



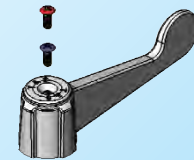
Part No	Description
ES-06	6" (152mm) SWIVEL SPOUT FOR FAUCET
ES-12	12" (305mm) SWIVEL SPOUT FOR FAUCET
ES-18	18" (457mm) SWIVEL SPOUT FOR FAUCET



Part No	Description
EU-AF12	12" (305MM) ADD-ON FAUCET FOR PRE-RINSE



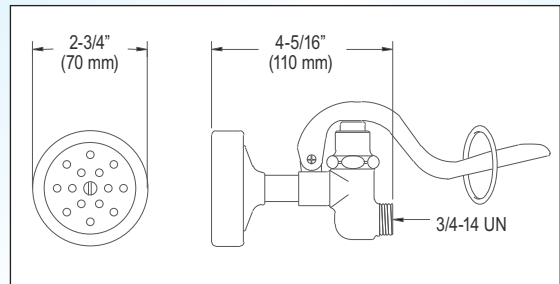
Part No	Description
EU-WH4	4" (102MM) WRIST BLADE HANDLE



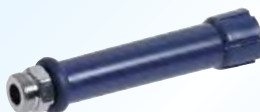
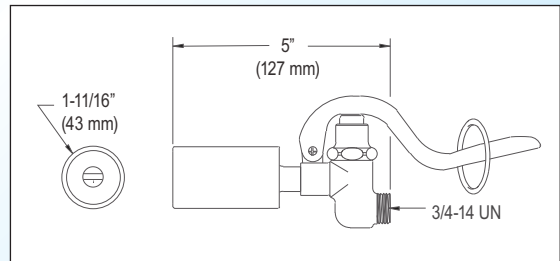
T&S Spray Guns for EasyInstall™ Pre-Rinse Units



Part No	Description
UK-0107	STANDARD SPRAY VALVE 5.375 LITRES/MINUTE



Part No	Description
EB-0107-C	LOW FLOW SPRAY VALVE 2.46 LITRES/MINUTE



Part No	Description
011482-40	HANDLE FOR STANDARD & LOW FLOW PRE-RINSE to fit T&S hose
011759-40	HANDLE FOR STANDARD & LOW FLOW PRE-RINSE to fit 1/2" hose





## T&S - HIGHEST QUALITY HOSE REELS

All T&S Retractable Hose Reels are engineered to withstand the most rigorous clean-up demands in any setting. They feature rugged components and precision fittings for even longer service life.

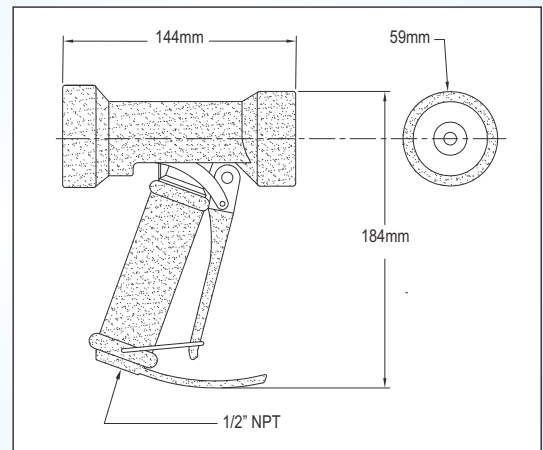
- Heavy duty gauge steel housings in stainless steel or with epoxy coated finish.
- Anti-lock ratchet design
- Blue non-marking hose is rated at up to 250°F (121°C) and 300psi.
- Open and enclosed models
- Brass swivel and stainless steel shaft
- Impact resistant ratchet assembly with eight catch points
- Two part construction for simplified installation/orientation
- Available in a variety of hose lengths and styles
- Available with a choice of Spray Valve or Front Trigger Water Gun  
 Model number of Hose Reels ends in -01 if fitted with Spray Valve EB-0107  
 Model number of Hose Reels ends in -05 if fitted with Front Trigger Water Gun MV-2522-24. Fittings to connect Valve/Gun to hose supplied.



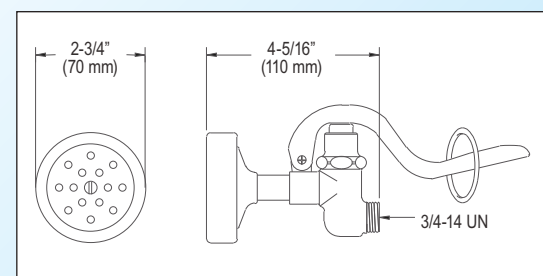
Part No	Description
<b>MV-2522-24</b>	<b>FRONT TRIGGER WATER GUN (FITS 1/2" HOSE)</b>



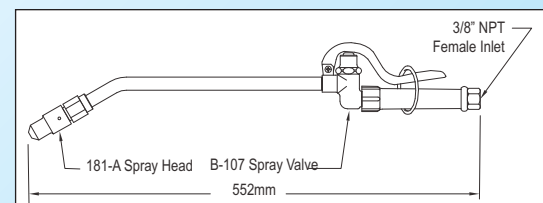
Part No	Description
<b>001359-40</b>	<b>1/2" TO 3/8" ADAPTOR (TO FIT GUN TO 3/8" HOSE)</b>



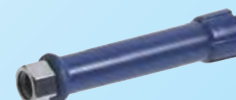
Part No	Description
<b>EB-0107</b>	<b>SPRAY VALVE FOR HOSE REELS</b> (supplied without handle)



Part No	Description
<b>EB-2322</b>	<b>SPRAY VALVE EXTENSION UNIT</b> (supplied with handle for 3/8" hose)



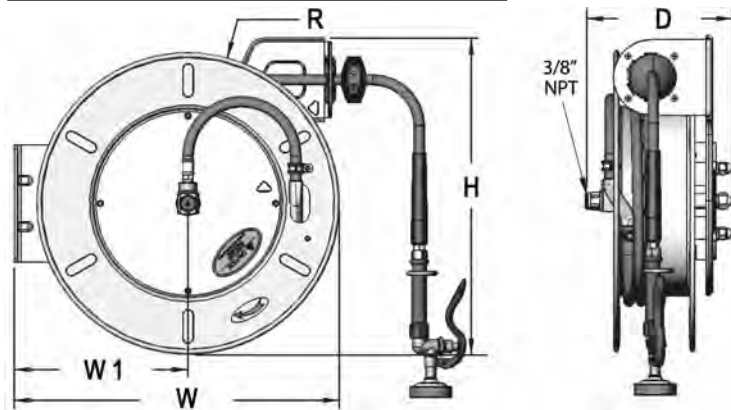
Part No	Description
<b>012504-40</b>	<b>HANDLE FOR 3/8" HOSE</b>
<b>015082-40</b>	<b>HANDLE FOR 1/2" HOSE</b>



**B-7132 and B-7142**

Open stainless steel hose reel with either 35ft or 50ft of  $\frac{3}{8}$ " ID hose.  
 Models with PN ending -01 supplied with spray valve EB-0107.  
 Models with PN ending -05 supplied with front trigger gun MV-2522-24.

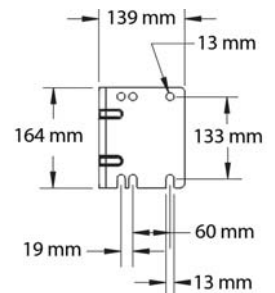
Model	H	D	W	W1	R
B-7132	458	182	421	222	368
B-7142	523	240	536	286	498



Part No	Description
B-7132-01	35FT HOSE WITH EB-0107 SPRAY VALVE
B-7132-05	35FT HOSE WITH MV-2522-24 FRONT TRIGGER GUN
B-7142-01	50FT HOSE WITH EB-0107 SPRAY VALVE
B-7142-05	50FT HOSE WITH MV-2522-24 FRONT TRIGGER GUN

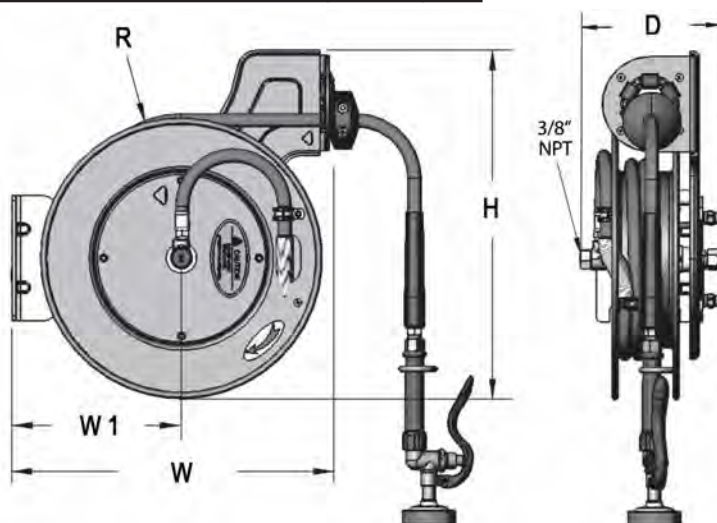


Mounting details  
 B-7132-01/B-7132-05  
 B7142-01/B7142-05


**B-7232 and B-7242**

Open epoxy coated hose reel with either 35ft or 50ft of  $\frac{3}{8}$ " ID hose.  
 Models with PN ending -01 supplied with spray valve EB-0107.  
 Models with PN ending -05 supplied with front trigger gun MV-2522-24.

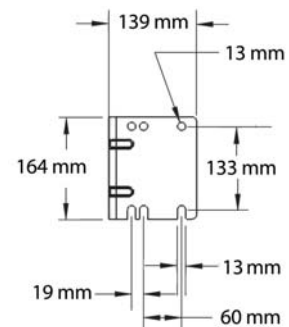
Model	H	D	W	W1	R
B-7232	458	182	421	222	368
B-7242	523	241	536	286	498



Part No	Description
B-7232-01	35FT HOSE WITH EB-0107 SPRAY VALVE
B-7232-05	35FT HOSE WITH MV-2522-24 FRONT TRIGGER GUN
B-7242-01	50FT HOSE WITH EB-0107 SPRAY VALVE
B-7242-05	50FT HOSE WITH MV-2522-24 FRONT TRIGGER GUN



B-7232-05



Mounting details  
 B-7232-01/B-7232-05  
 B-7252-01/B-7252-05